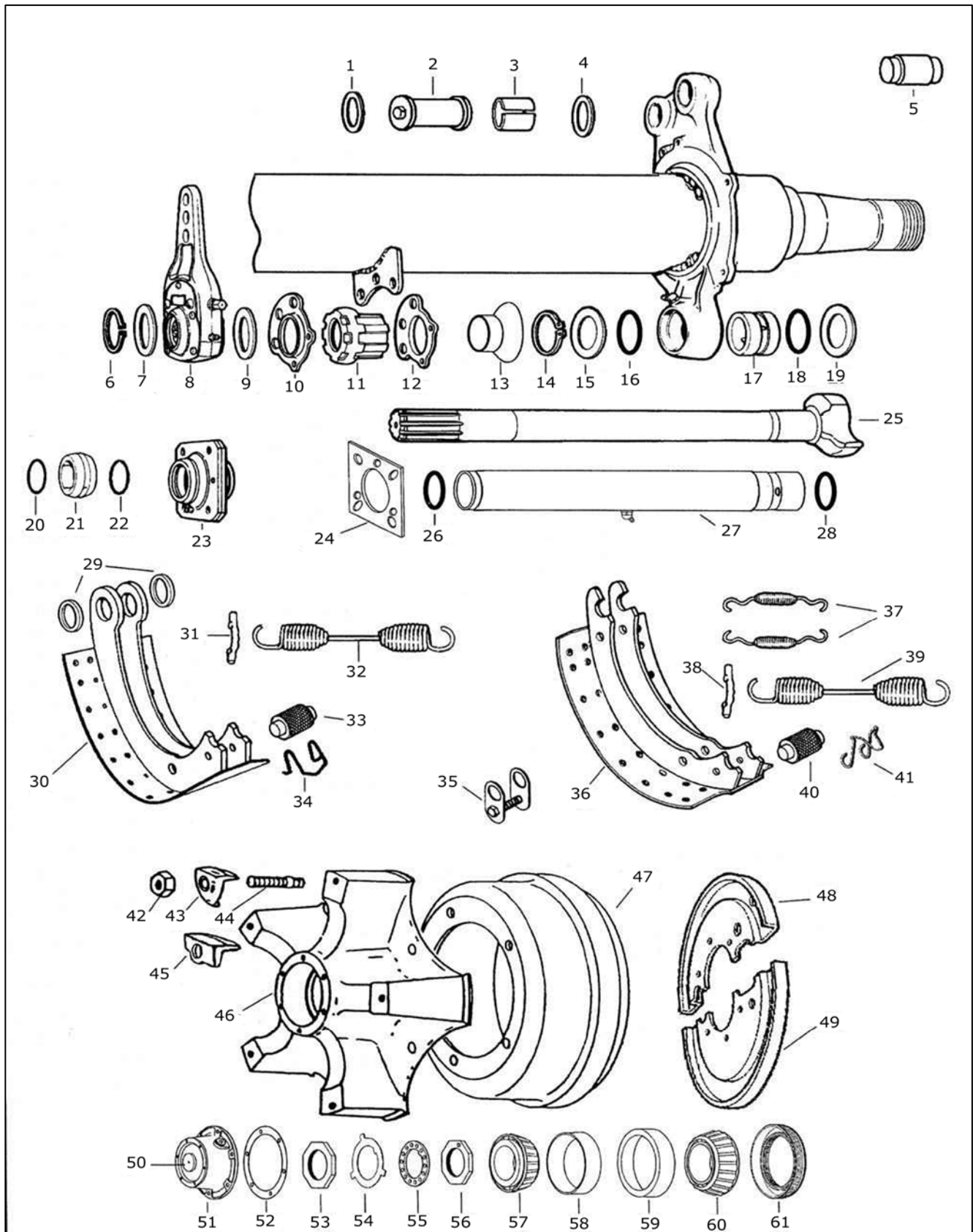


**York 2000 Series Axle
2782 2784 Series I, II
16-1/2" X 7" Brakes**



York 2000 Series Axle 2782, 2784 Series I, II 16-1/2" X 7" Brakes

| Item: | Part No: | Description: | Item: | Part No: | Description: |
|-------|---------------|-----------------------------------|-------------|-------------|-----------------------------------|
| 1 | FP35.1580 | WASHER | 46B | ZTFST326AD | HUB ASSY SUPER SINGLE |
| 2A | FP3200 | ANCHOR PIN SHORT P TYPE | 47A | ZTFDR130 | DRUM FOR DUST COVER, SUPER SINGLE |
| 2B | FP3304 | ANCHOR PIN LONG P TYPE | 47B | ZTFDM185 | DRUM NO DUST COVER RECESS |
| 3 | FP3207B | ANCHOR PIN BUSH | 48 | YK79786335 | COVER LH |
| 4 | FP35.1580 | WASHER | 49 | YK79786336 | COVER RH |
| 5 | FP15.542 | ANCHOR PIN Q TYPE | 50 | ZST359-5990 | HUB CAP PLUG |
| 6 | FP29.1301 | CIRCLIP | 51 | ZST343-4009 | HUB CAP |
| 7 | FP29.1308 | WASHER | 52 | ZST330-3067 | HUB CAP GASKET |
| 8 | FP5020 | SLACK ADJUSTER 1-1/2" X 10 SPLINE | 53 | FP12.415 | NUT AXLE OUTER |
| 9 | FP29.1308 | WASHER | 54 | FP12.416 | WASHER LOCK TAB |
| 10 | FP30.1362 | BRACKET | 55 | FP12.414 | LOCK WASHER |
| 11 | FP27.1200 | BUSH | 56 | FP12.413 | NUT AXLE INNER |
| 12 | FP30.1362 | BRACKET | 57 | TMHM212049 | OUTER CONE |
| 13 | YK79500686 | DUST SEAL | 58 | TMHM212011 | OUTER CUP |
| 14 | FP29.1301 | CIRCLIP | 59 | TMHM218210 | INNER CUP |
| 15 | FP29.1308 | WASHER | 60 | TMHM218248 | INNER CONE |
| 16 | FP27.1208 | O RING 1-1/2" | 61 | SEE TABLE | HUB SEAL |
| 17 | FP28.1257 | BUSH CAMSHAFT | | | |
| | | with Cam Tubes use YK79788529 | | | |
| 18 | FP27.1208 | O RING 1-1/2" | | | ITEM 33 & 40 |
| 19 | FP29.1308 | WASHER | FP32.1425 | | CAM ROLLER SMOOTH STD |
| 20 | FP27.1208 | O RING 1-1/2" | FP32.1426 | | CAM ROLLER SMOOTH 1/8" OS |
| 21 | FP27.1197 | BUSH CAM | FP32.1427 | | CAM ROLLER SMOOTH 1/4" OS |
| 22 | FP27.1208 | O RING 1-1/2" | FP32.1428 | | CAM ROLLER KNURLED STD |
| 23 | FP30.1358 | BRACKET ASSY | FP32.1428A | | CAM ROLLER KNURLED 1/8" OS |
| 24 | YK79787590 | PLATE | FP32.1428B | | CAM ROLLER KNURLED 1/4" OS |
| 25A | FP2003 | CAMSHAFT LH 525MM 10 SPLINE | | | |
| 25B | FP2004 | CAMSHAFT RH 525MM 10 SPLINE | | | |
| 25C | FP2081 | CAMSHAFT LH 627MM 10 SPLINE | | | ITEM 61 |
| 25D | FP2082 | CAMSHAFT RH 627MM 10 SPLINE | FP755400 | | BARRIER SEAL |
| 26 | YK79787720 | SEAL INNER END | ZCR46305 | | CR SEAL |
| 27A | YK79788529/01 | CAM TUBE 525MM | ZST307-0743 | | STEMCO SEAL |
| 27B | YK79788529/17 | CAM TUBE 627MM | | | |
| 27C | YK79757923 | CAM TUBE BUSH | | | |
| 28 | YK79787721 | SEAL OUTER END | | | BRAKE SHOE HARDWARE KIT |
| 29 | FP3302 | WASHER SUPPORT | FP3332 | | BRAKE KIT SMOOTH ROLLER P TYPE |
| 30 | FP21.889 | BRAKE SHOE P TYPE | FP3332ES | | BRAKE KIT SMOOTH ROLLER P TYPE |
| 31 | FP20.881 | PIN | FP3332K | | BRAKE KIT KNURLED ROLLER P TYPE |
| 32 | FP19.853 | RETURN SPRING GP | FP3332KES | | BRAKE KIT KNURLED ROLLER P TYPE |
| 33 | SEE TABLE | CAM ROLLER STD | FP3333 | | BRAKE KIT SMOOTH ROLLER Q TYPE |
| 34 | FP34.1529 | RETAINER | FP3333HD | | BRAKE KIT SMOOTH ROLLER Q TYPE |
| 35 | FP3415 | RETAINER KIT | FP3333HDK | | BRAKE KIT KNURLED ROLLER Q TYPE |
| 36 | FP21.898 | BRAKE SHOE Q TYPE | FP3333K | | BRAKE KIT KNURLED ROLLER Q TYPE |
| 37 | FP19.860 | RETURN SPRING | FP3333LS | | BRAKE KIT SMOOTH ROLLER Q TYPE |
| 38 | FP20.881 | PIN RETURN SPRING | | | |
| 39 | FP19.856 | RETURN SPRING | | | |
| 40 | SEE TABLE | CAM ROLLER | | | |
| 41 | FP34.1532 | RETAINER | | | |
| 42 | FP6002 | WHEEL NUT 3/4" | | | |
| 43 | FPTF60 | WHEEL CLAMP | | | |
| 44 | FP6001 | WHEEL STUD 3/4" | | | |
| 45A | FPTF62 | WHEEL CLAMP MALCO | | | |
| 45B | FPTF75 | WHEEL CLAMP SUPER SINGLE | | | |
| 46A | ZTFST301 | HUB ASSY DUAL | | | |

York 2950 Axle (19.5" Wheels) 335 x 210mm Brakes

