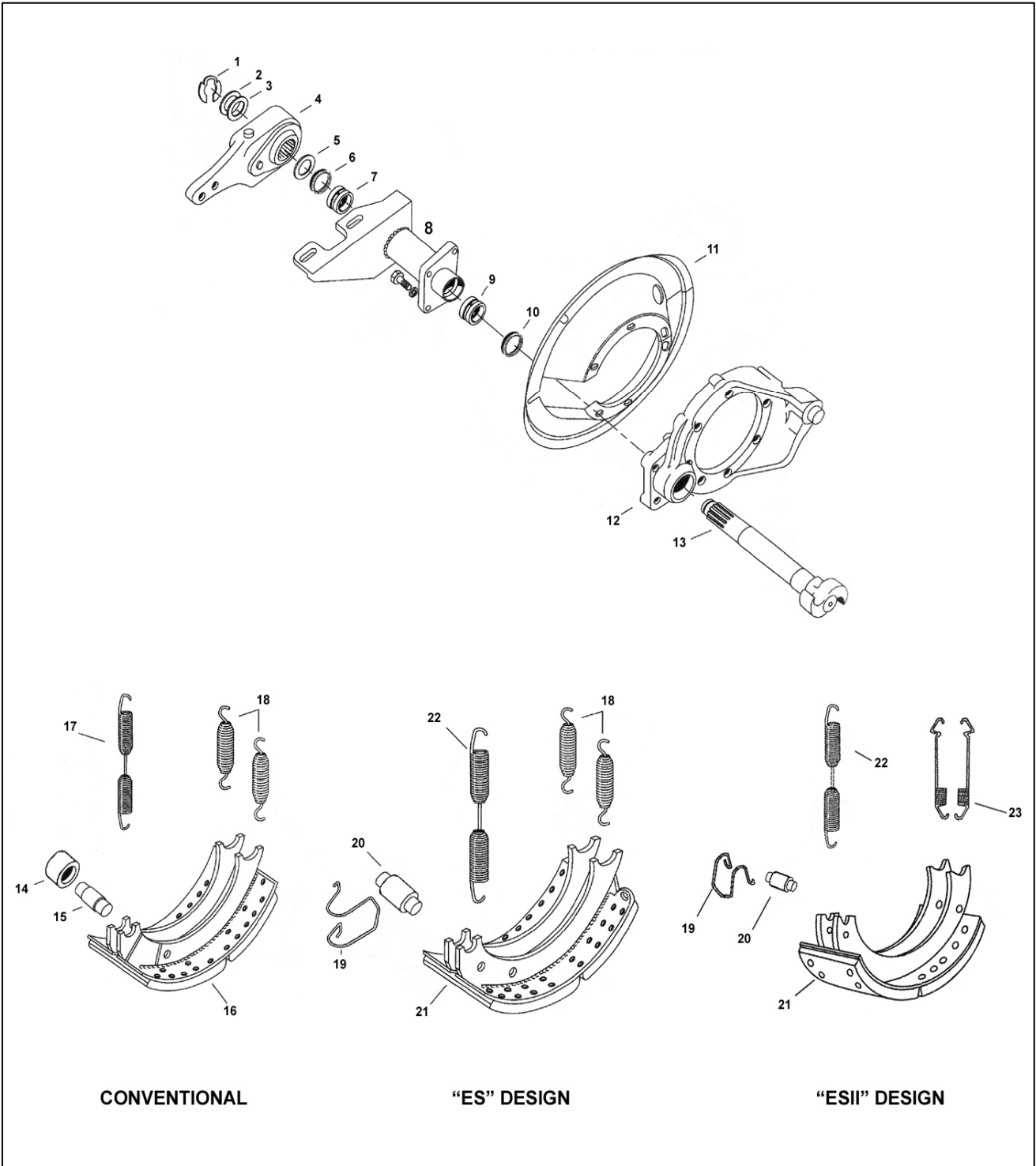


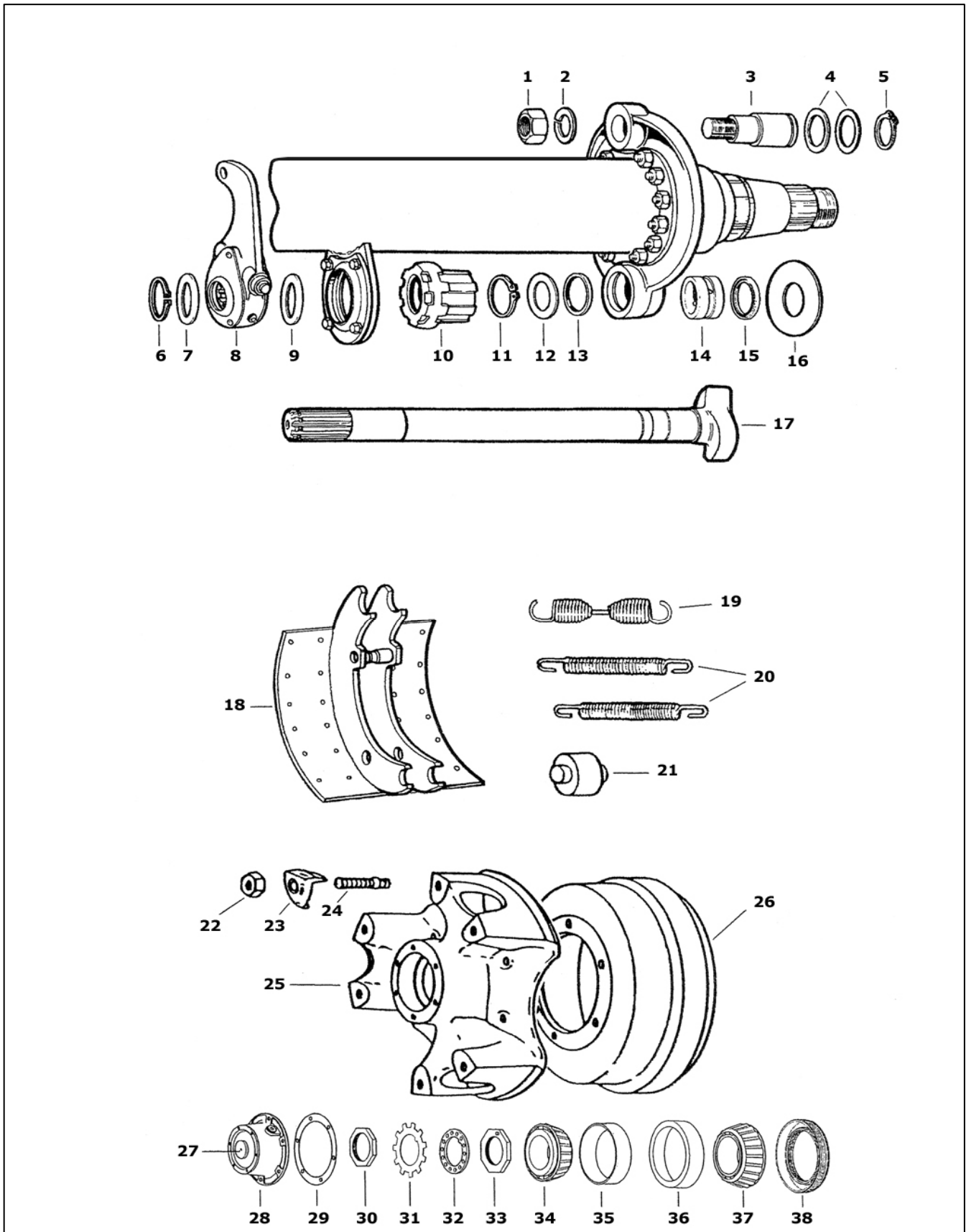
# Eaton JE501, ES and ESII Drive Axles 16-1/2" X 7" Brakes





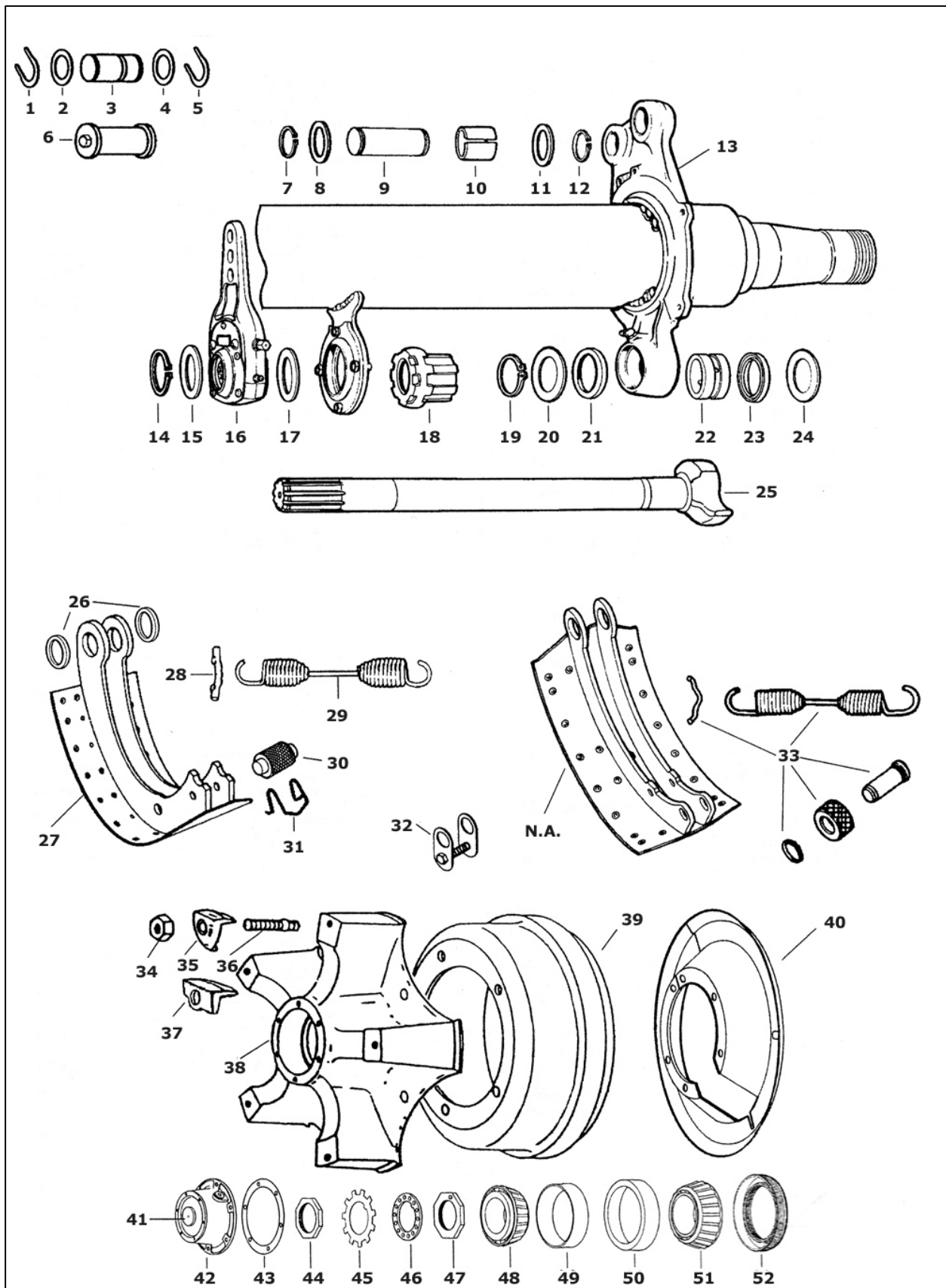
# Eaton E34 Low Loader Axle

## 12-1/4" x 7-1/2" Brakes





# Eaton JE07-L Axle 16-1/2" X 7" Brakes



# Eaton JE07-L Axle 16-1/2" X 7" Brakes

Item:	Part No:	Description:	Item:	Part No:	Description:
1	FP34.1525	CIRCLIP			
2	FP35.1580	WASHER			
3	FP15.527	ANCHOR PIN			
4	FP35.1580	WASHER			
5	FP34.1525	CIRCLIP			
6A	FP3200	ANCHOR PIN SHORT 2-1/4"			
6B	FP3304	ANCHOR PIN LONG 2-13/16"			
7	FP34.1525	CIRCLIP			
8	FP35.1580	WASHER			
9	FP15.527	ANCHOR PIN			
10	FP3207B	BUSH			
11	FP35.1580	WASHER			
12	FP34.1525	CIRCLIP			
13	N/A	SPIDER			
14	FP29.1301	CIRCLIP			
15	FP29.1308	WASHER			
16	FP5020	SLACK ADJUSTER 1-1/2" 10 SPLINE			
17	FP29.1308	WASHER			
18	FP27.1198	BUSH CAM			
19	FP29.1301	CIRCLIP			
20	FP29.1308	WASHER			
21	FP29.1269	SEAL CAMSHAFT			
22	FP28.1238	CAM BUSH			
23	FP29.1269	SEAL CAMSHAFT			
24	FP29.1319	WASHER			
25A	FP2003	CAMSHAFT LH 20-3/8" 10 SPLINE			
25B	FP2004	CAMSHAFT RH 20-3/8" 10 SPLINE			
26	FP3302	WASHER			
27	FP21.889	BRAKE SHOE			
28	FP20.881	PIN RETURN SPRING			
29	FP19.853	RETURN SPRING GP			
30	SEE TABLE	CAM ROLLER			
31	FP34.1529	RETAINER			
32	FP3415	RETAINER KIT			
33	NLA	USE P BRAKE			
34	FP6002	NUT 3/4"			
35	FPTF60	WHEEL CLAMP			
36	FP6001	STUD 3/4"			
37	FPTF62	WHEEL CLAMP			
38	ZTFST301	WHEEL HUB			
39A	ZTFDM185	BRAKE DRUM			
39A	ZTFWSDT580AD	HUB ASSEMBLY			
40	FP33.1476A	DUST SHIELD			
41	ZST359-5990	HUB CAP PLUG			
42	ZST343-4009	HUBCAP			
43	ZST330-3067	GASKET			
44	FP12.393	NUT OUTER			
45	FP12.394	LOCK WASHER			
46	FP12.392	LOCK WASHER			
47	FP12.391	NUT AXLE INNER GP			
48	TMHM212049	OUTER CONE			
49	TMHM212011	OUTER CUP			
50	TMHM218210	INNER CUP			
51	TMHM218248	INNER CONE			
52	SEE TABLE	SEAL			

# Eaton JE501-L Axle 16-1/2" X 7" Brakes

