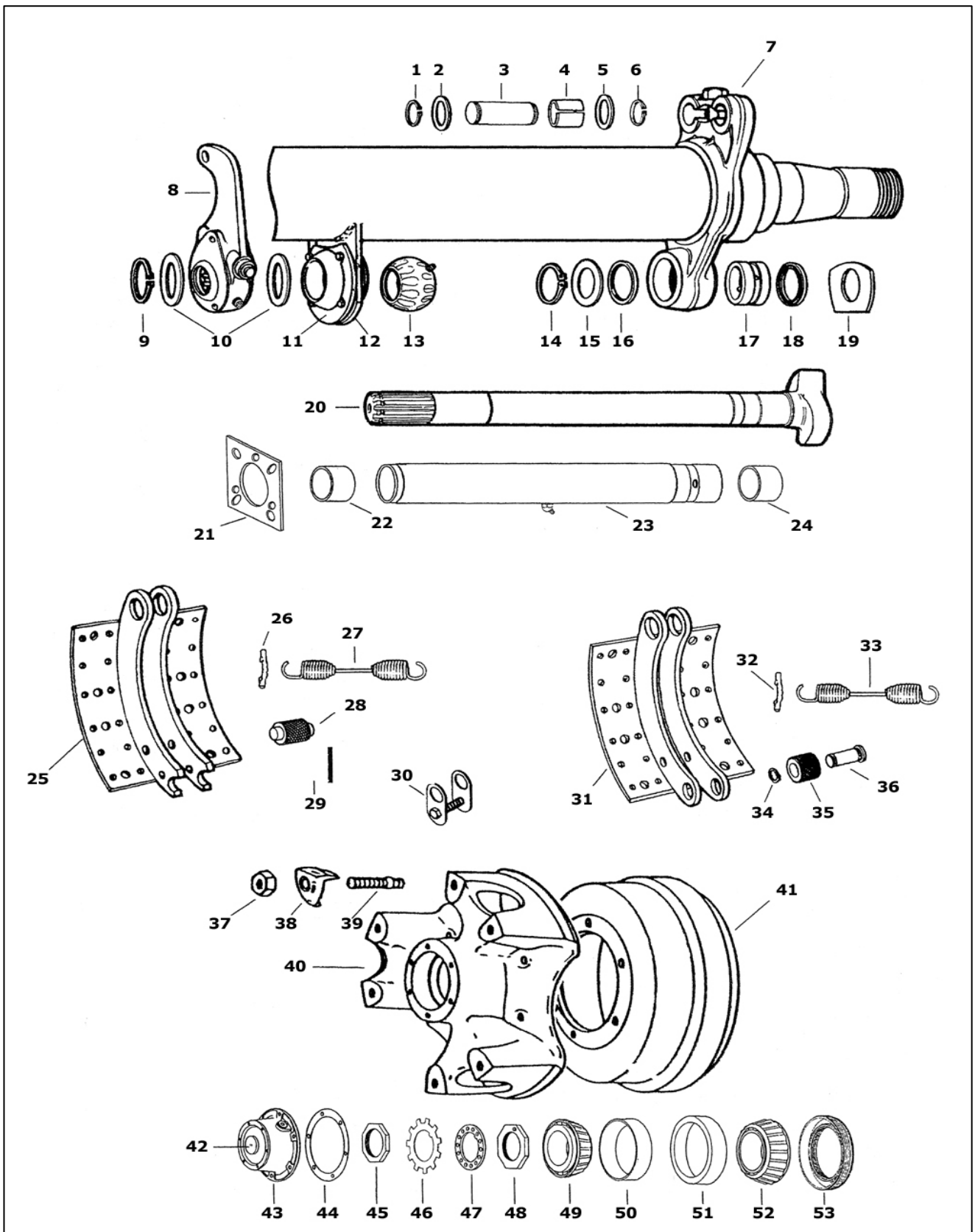


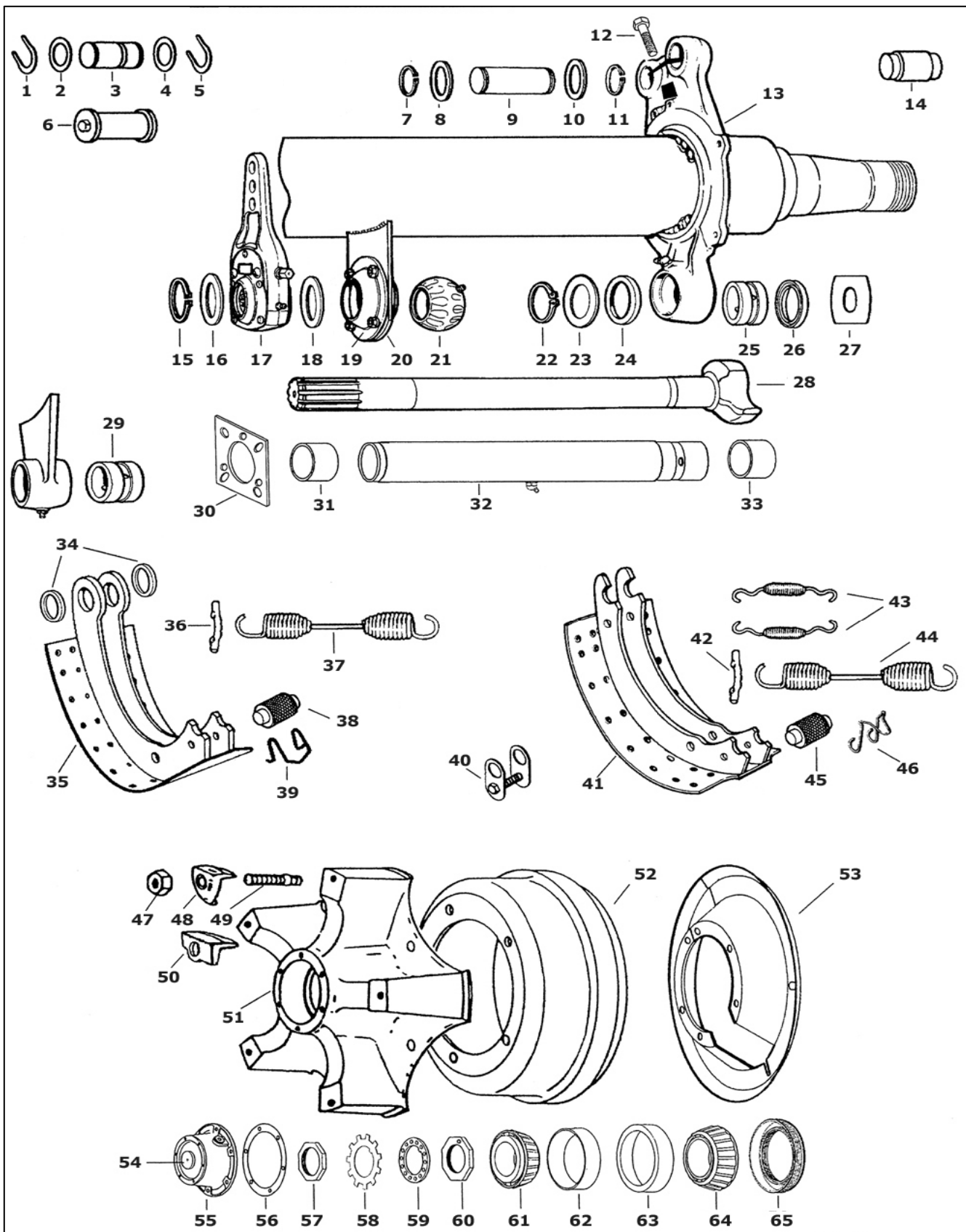
Freighter A19H, F22H, Dana Spicer, Standard Forge Late Axles 12-1/4" x 7 1/2" Brakes (Fabricated Shoes)



Freighter A19H, F22H, Dana Spicer, Standard Forge Late Axles 12-1/4" x 7 1/2" Brakes (Fabricated Shoes)

Item:	Part No:	Description:	Item:	Part No:	Description:
1	FP34.1527	CIRCLIP	44	ZST330-3067	HUB CAP GASKET
2	FP35.1581	WASHER	45	FP12.393	OUTER LOCK NUT
3	FP15.537	P-BRAKE ANCHOR PIN	46	FP12.394	LOCK TAB WASHER
4	ZATBP3219	ANCHOR PIN BUSH	47	FP12.392	LOCK WASHER
5	FP35.1581	WASHER	48	FP12.391	INNER NUT
6	FP34.1527	CIRCLIP	49	TMHM212049	OUTER CONE (AH & FH)
7	N/A	SPIDER	50	TMHM212011	OUTER CUP (AH & FH)
8A	FP5020	SLACK ADJUSTER STRAIGHT 1-1/2"	51A	TM653	INNER CUP (AH)
8B	FP5028	SLACK ADJUSTER CURVED 1-1/2"	51B	TMHM218210	INNER CONE (FH)
9	FP29.1301	CIRCLIP	52A	TM663	INNER CONE (AH)
10	FP29.1308	WASHER	52B	TMHM218248	INNER CUP (FH)
11	FP30.1357	BRACKET & BUSH ASSY	53	SEE TABLE	OIL SEAL
12	N/A	PLATE			
13	FP27.1195	INNER CAM BUSH			
14	FP29.1301	CIRCLIP			
15	FP29.1308	WASHER			
16	FP29.1269	SEAL			ITEM 53
17	FP28.1232	OUTER CAM BUSH	AH19	FP747400	BARRIER SEAL
18	FP29.1269	SEAL	AH19	ZCR40136	CR SEAL
19	FP29.1319	WASHER	AH19	ZST307-0713	STEMCO SEAL
20A	FP2075	CAMSHAFT LH 21-1/2" 10 SPLINE	FH22	FP755400	BARRIER SEAL
20B	FP2076	CAMSHAFT RH 21-1/2" 10 SPLINE	FH22	ZCR46305	CR SEAL
21	FP31.1405	CAM ENCLOSURE PLATE	FH22	ZST307-0743	STEMCO SEAL
22	FP06115	BUSH CAMTUBE			
23	FP31.1401	CAM ENCLOSURE			
24	FP06115	BUSH CAMTUBE			
25A	ZATBP5052	BRAKE SHOE BARE (4692)			CAMSHAFT KITS
25B	ZATBP5052HD	BRAKE SHOE BARE (4591)			
26	FP20.881	SPRING RETAINER			
27	FP19.862	RETURN SPRING			
28	FP32.1427	SMOOTH 1/4" O/S ROLLER			
29	FP34.1529	ROLLER RETAINER			
30	FP3415	H/D ROLLER RETAINER			
31	NLA	USE ZATBP5052			
32	FP20.881	SPRING RETAINER			
33	FP19.862	RETURN SPRING			
34	FP34.1526	CIRCLIP			
35	FP32.1445	ROLLER			
36	FP32.1446	PIN ROLLER			
37	FP6002	WHEEL NUT 3/4"			
38	FPTF60	WHEEL CLAMP			
39	FP6001	WHEEL STUD 3/4"			
40A	ZTFST303	HUB 3 SPOKE (FH22 LATE) HM218210			
40B	ZTFST322	HUB 6 SPOKE (AH19 EARLY) 653			
40C	ZTFST323	HUB 6 SPOKE (FH22 LATE) HM218210			
41A	ZTFDT108A	BRAKE DRUM (ST303)			
41B	ZTFDT141	BRAKE DRUM (ST322 & 323)			
42	ZST359-5990	HUB CAP PLUG			
43	ZST343-4009	HUB CAP			

Freighter F22H, Standard Forge Axles 16-1/2" X 7" Brakes

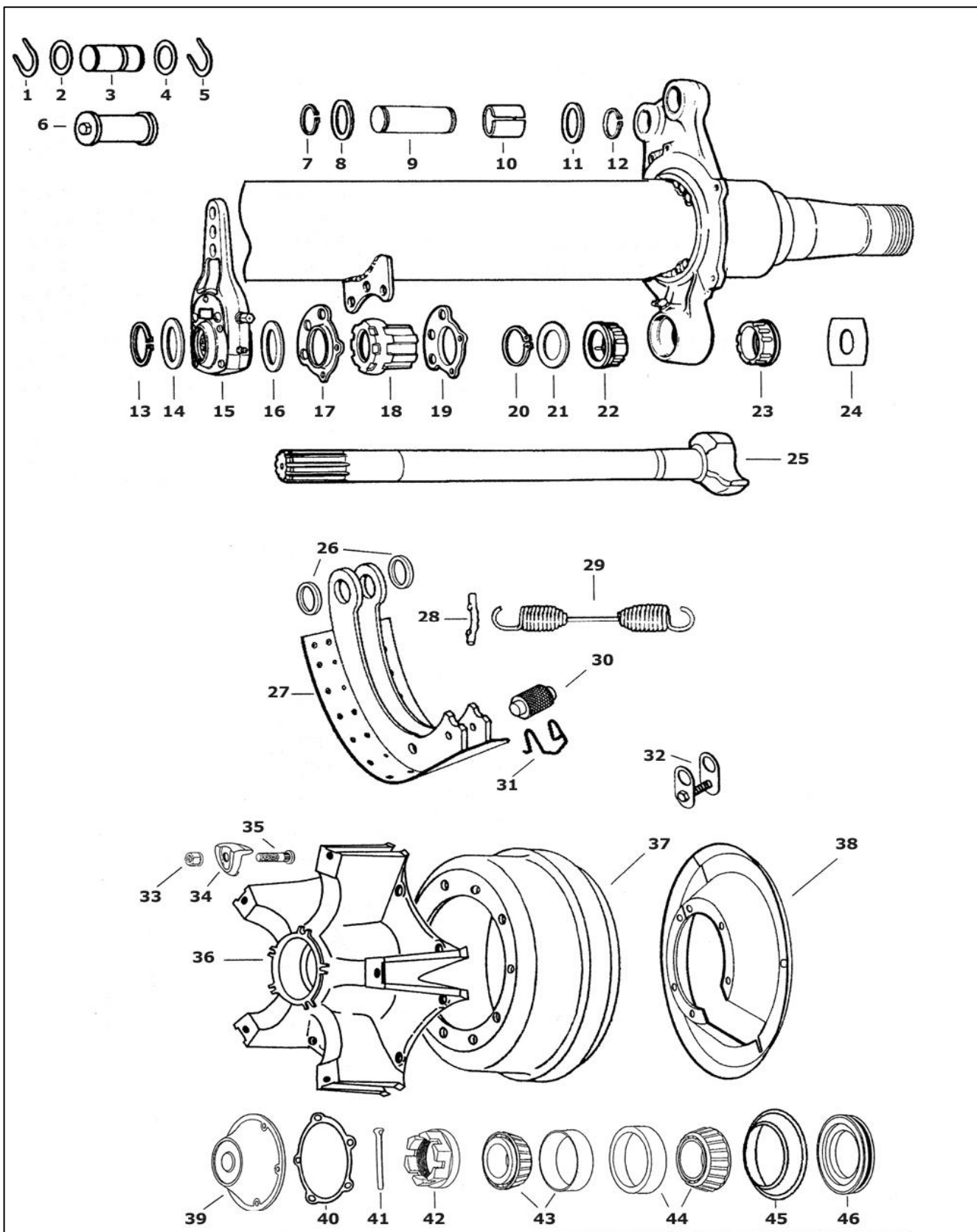


Freighter F22H, Standard Forge Axles 16-1/2" X 7" Brakes

Item:	Part No:	Description:	Item:	Part No:	Description:
1	FP34.1525	CIRCLIP	53	FP33.1476A	DUST SHIELD
2	FP35.1580	WASHER ANCHOR	54	ZST359-5990	HUB CAP PLUG
3	FP15.527	ANCHOR PIN	55	ZST343-4009	HUB CAP
4	FP35.1580	WASHER ANCHOR	56	ZST330-3009	HUB CAP GASKET
5	FP34.1525	CIRCLIP	57	FP12.393	NUT OUTER
6A	FP3200	ANCHOR PIN SHORT 2-1/4"	58	FP12.394	LOCK WASHER
6B	FP3304	ANCHOR PIN LONG 2-13/16"	59	FP12.392	LOCK WASHER
7	FP34.1525	CIRCLIP	60	FP12.391	NUT AXLE INNER GP
8	FP35.1580	WASHER	61	TMHM212049	OUTER CONE
9	FP15.527	ANCHOR PIN STD	62	TMHM212011	OUTER CUP
10	FP35.1580	WASHER	63	TMHM218210	INNER CUP
11	FP34.1525	CIRCLIP	64	TMHM218248	INNER CONE
12	2-1/2" X 1/2" UNF	BOLT	65	SEE TABLE	OIL SEAL
13	FP2000W	SPIDER 5"			
14	FP15.542	ANCHOR PIN			ITEM 65
15	FP29.1301	CIRCLIP	FP755400		BARRIER SEAL
16	FP29.1308	WASHER	ZCR46305		CR SEAL
17	FP5020	SLACK ADJUSTER 1-1/2" X 10 SPLINE	ZST307-0743		STEMCO SEAL
18	FP29.1308	WASHER			
19	FP30.1357	BRACKET & BUSH ASSY			CAMSHAFT KITS
20	N/A	PLATE	FP3108		CAMSHAFT WASHER KIT
21	FP27.1195	BUSH CAM STD	FP43.7033		CAMSHAFT BUSH KIT
22	FP29.1301	CIRCLIP			
23	FP29.1308	WASHER			BRAKE SHOE HARDWARE KIT
24	FP29.1269	SEAL CAMSHAFT	FP3332		BRAKE KIT SMOOTH ROLLER P TYPE
25	FP28.1232	CAM BUSHING	FP3332ES		BRAKE KIT SMOOTH ROLLER P TYPE
26	FP29.1269	SEAL CAMSHAFT	FP3332K		BRAKE KIT KNURLED ROLLER P TYPE
27	FP29.1319	D WASHER	FP3332KES		BRAKE KIT KNURLED ROLLER P TYPE
28A	FP2003	CAMSHAFT LH 20-3/8" 10 SPLINE	FP3333		BRAKE KIT SMOOTH ROLLER Q TYPE
28B	FP2004	CAMSHAFT RH 20-3/8" 10 SPLINE	FP3333HD		BRAKE KIT SMOOTH ROLLER Q TYPE
29	FP28.1232	BUSH	FP3333HDK		BRAKE KIT KNURLED ROLLER Q TYPE
30	FP31.1405	PLATE CAM	FP3333K		BRAKE KIT KNURLED ROLLER Q TYPE
31	FP06115	BUSH	FP3333LS		BRAKE KIT SMOOTH ROLLER Q TYPE
32	FP31.1401	CAMTUBE			
33	FP06115	BUSH			
34	FP3302	WASHER			
35	FP21.889	BRAKE SHOE			
36	FP20.881	PIN RETURN SPRING			
37	FP19.853	RETURN SPRING GP			
38	FP32.1425	CAM ROLLER STD			
39	FP34.1529	RETAINER			
40	FP3415	RETAINER KIT			
41	FP21.898	BRAKE SHOE			
42	FP20.881	PIN RETURN			
43	FP19.860	RETURN SPRING QC			
44	FP19.856	RETURN SPRING (FP3490 H/DUTY)			
45	FP32.1426	CAM ROLLER			
46	FP34.1532	RETAINER CAM			
47	FP6002	NUT 3/4"			
48	FPTF60	WHEEL CLAMP GP			
49	FP6001	STUD 3/4"			
50	FP6058	WHEEL CLAMP LONG REACH GP			
51	ZTFST301	HUB ASSY			
52	ZTFDM185	BRAKE DRUM			

Freighter F22H, Standard Forge Axles 16-1/2" X 7" Brakes

Freighter MK V 16-1/2" X 7" Brakes



Freighter MK V

16-1/2" X 7" Brakes

Item:	Part No:	Description:	Item:	Part No:	Description:
1	FP34.1525	CIRCLIP			
2	FP35.1580	WASHER			
3	FP15.527	ANCHOR PIN STD			
4	FP35.1580	WASHER			
5	FP34.1525	CIRCLIP			
6A	FP3200	ANCHOR PIN SHORT 2-1/4"			
6B	FP3304	ANCHOR PIN LONG 2-13/16"			
7	FP34.1525	CIRCLIP			
8	FP35.1580	WASHER			
9	FP15.527	ANCHOR PIN STD			
10	FP3207B	ANCHOR PIN BUSH			
11	FP35.1580	WASHER			
12	FP34.1525	CIRCLIP			
13	FP29.1301	CIRCLIP			
14	FP29.1308	WASHER			
15	FP5020	SLACK ADJUSTER 1-1/2" X 10 SPLINE			
16	FP29.1308	WASHER			
17	FP30.1362	BRACKET CAM			
18	FP27.1200	BUSH CAM			
19	FP30.1362	BRACKET CAM			
20	FP29.1301	CIRCLIP			
21	FP29.1308	WASHER			
22	SEE ITEM 23	BUSH KIT			
23	FP28.1235K	BUSH KIT			
24	FP29.1319	WASHER			
25A	FP2003	CAMSHAFT LH 20-3/8" 10 SPLINE			
25B	FP2004	CAMSHAFT RH 20-3/8" 10 SPLINE			
26	FP3302	WASHER			
27	FP21.889	BRAKE SHOE			
28	FP20.881	PIN RETURN SPRING			
29	FP19.853	RETURN SPRING GP			
30	FP32.1425	CAM ROLLER STD			
31	FP34.1529	RETAINER CAM			
32	FP3415	RETAINER KIT			
33	ZWT6005	WHEEL NUT			
34	ZCLAP6055	WHEEL CLAMP			
35	ZWT6004	WHEEL STUD			
36	N/A	HUB (OBSOLETE)			
37	ZTFDT187	BRAKE DRUM			
38	FP33.1476A	DUST SHIELD			
39	ZWT4035	HUB CAP			
40	ZWT4025	HUB CAP GASKET			
41	ZWT4053	SPLIT PIN			
42	ZWT4011	AXLE NUT			
43	TM32215	OUTER BRG			
44	TM32217	INNER BRG			
45	FP4509	WEAR RING			
46	FP4507	OIL SEAL			